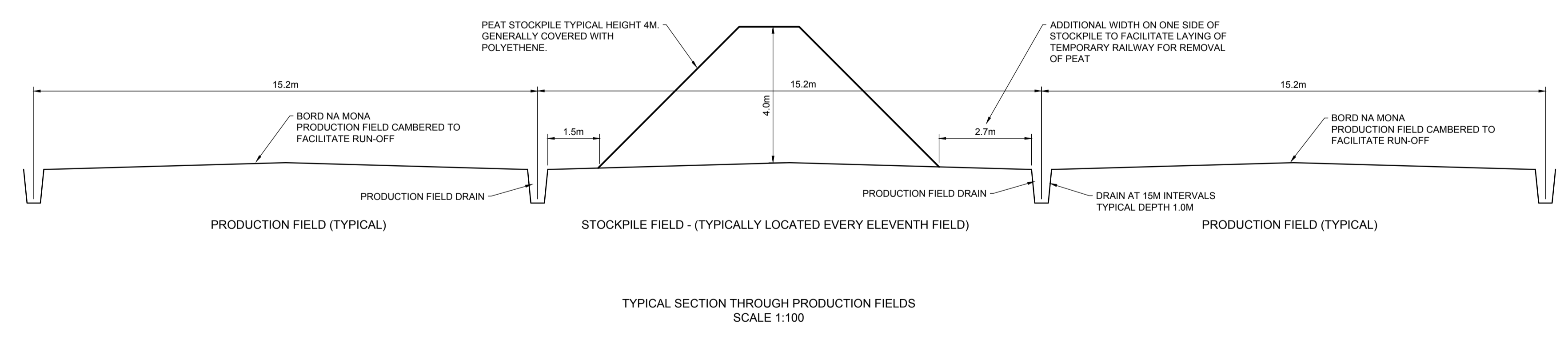
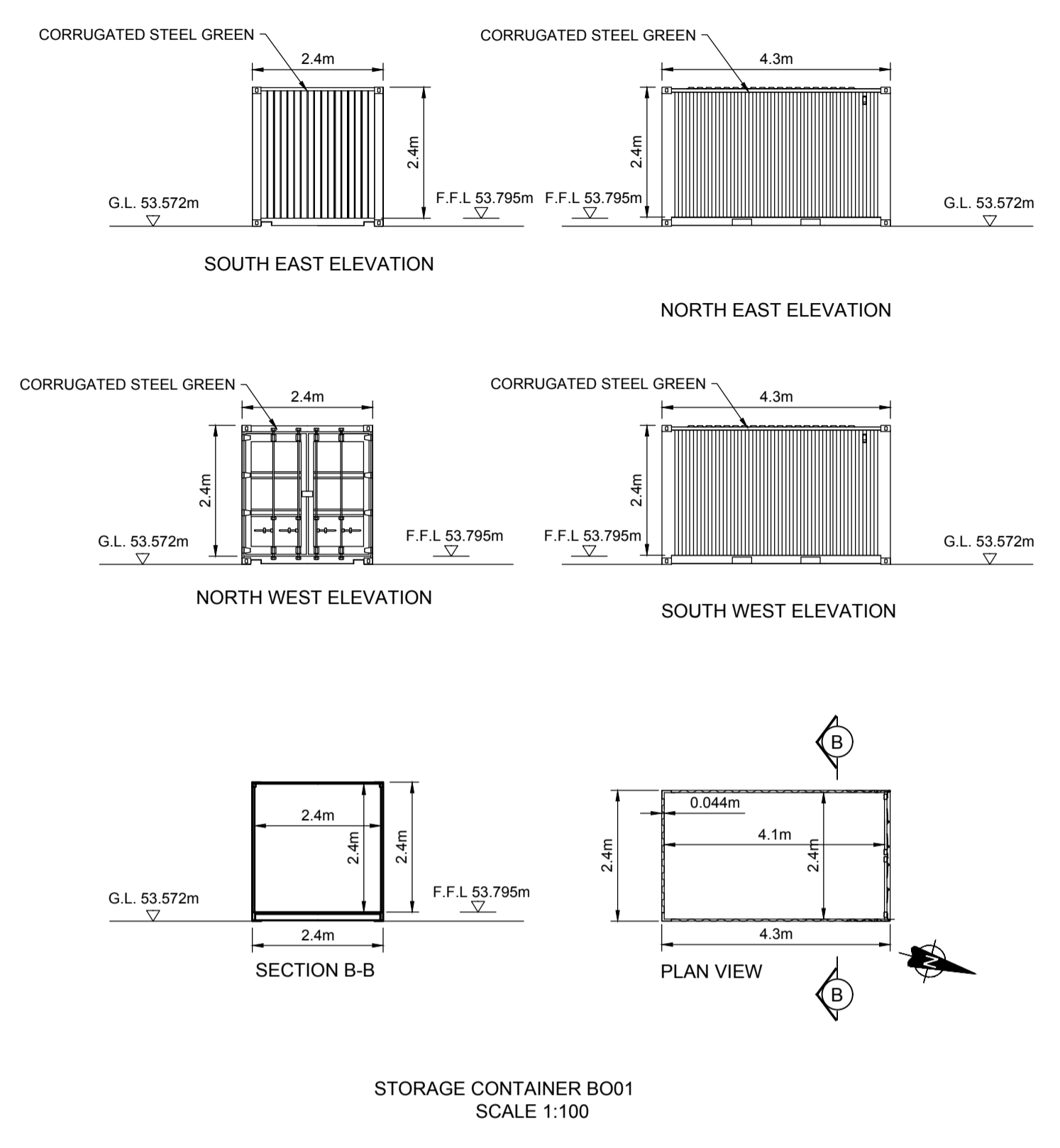
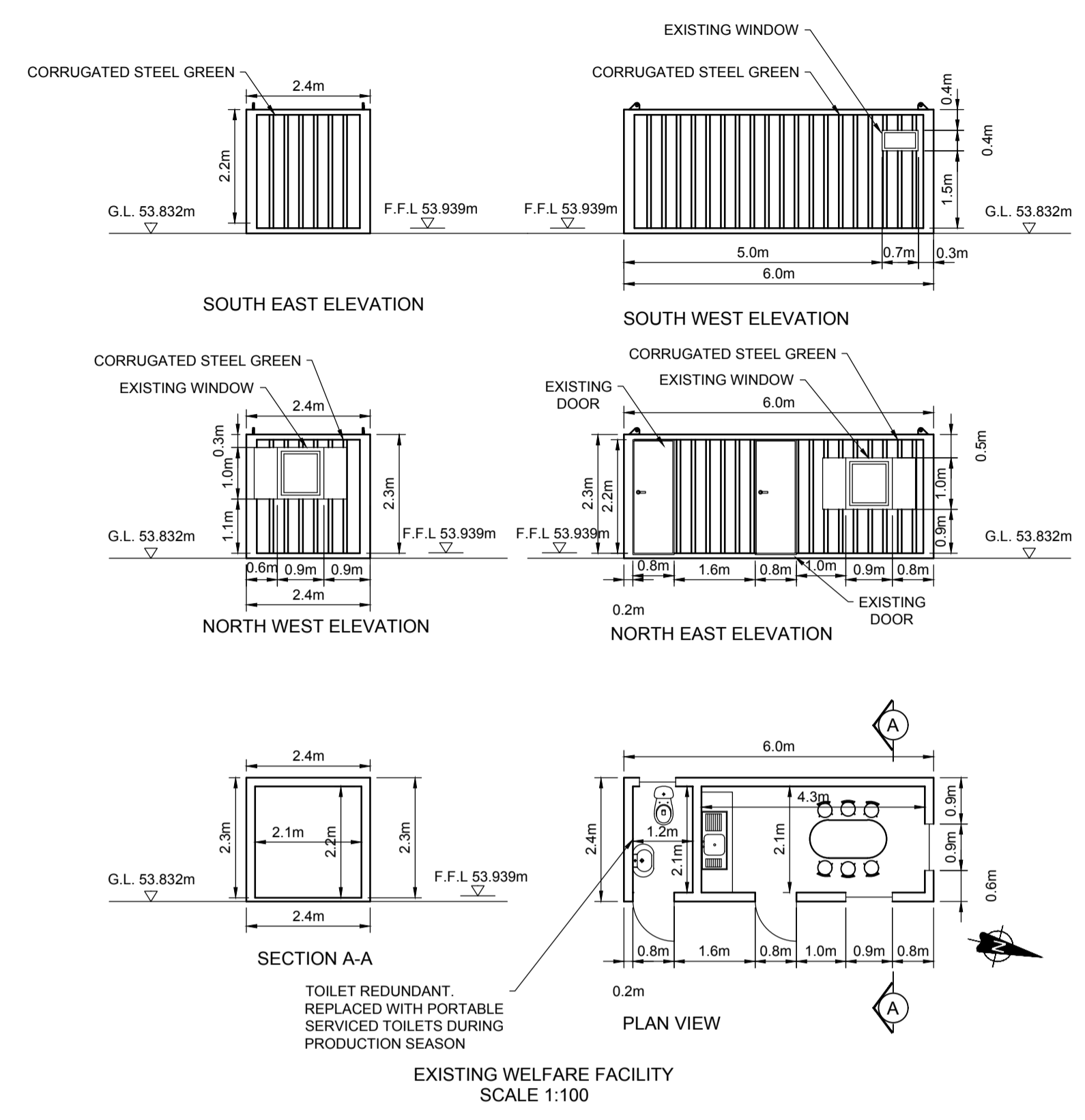


- NOTES:**
1. THIS DRAWING IS FOR PLANNING APPLICATION PURPOSES ONLY.
  2. DRAWING NOT TO BE SCALED. FIGURED DIMENSIONS ONLY TO BE USED.
  3. ALL LEVELS TO MALIN HEAD METRES ABOVE DATUM



Project: **SUBSTITUTE CONSENT APPLICATION  
BOORA BOG, CO OFFALY**

REVISION	By	Date	Chk'd	Title: <b>BUILDINGS AND STRUCTURES</b>	
				Dimensions in METRES	
				Scale: 1:100 @ A1	
				Drawn By: JC	13/03/2020
				Checked By: PN	18/04/2020
				Approved By: DK	21/05/2020
				Drawing No. SC-0500-BO-DR008	Revision. Sheet 1 of 1

**BORD NA MÓNA**  
Naturally Driven  
Bord Na Móna Engineering Department  
LEABEG, TULLAMORE CO. OFFALY  
Tel: 057 9345900 Fax: 057 9345160